

## AW 1000DS sileo Axial fan

Axial wall fan

Item number: [34144](#)

Variant: 400V 3~ 50Hz

- Speed controllable via voltage reduction or, with 400V version, also 2-stage operation possible via D/Y switching
- Contact protection grille on the inlet
- Reliable and maintenance-free
- Can be installed in any position
- Electrical connection via terminal box, permanently mounted on motor
- For 1~ fans, capacitor included in terminal box

Axial fans of the AW sileo series have a bionically designed blade geometry and are driven by external rotor motors. AW fans have a square wall ring plate made of galvanised sheet steel. The black painted axial impellers are made of aluminium. Impeller dynamically balanced in 2 planes according to DIN ISO 1940 part 1, quality class G6.3. For motor protection, the fans are equipped with thermostatic switches with lead-out cables for connection to a motor protection device, e.g. S-ET. Motor cooling through arrangement of the motor within the air flow.



### Technical parameters

Nominal data		
Voltage (nominal)	400	V
Frequency	50	Hz
Phase(s)	3~	
Motor circuit connection	D; Y	
Input power	2,700	W
Input current	5.4	A
Impeller speed	820	rpm
Air flow	max 36,468	m <sup>3</sup> /h
Air flow at max. efficiency	22,250	m <sup>3</sup> /h
Specific ratio	1,000000	
Temperature of transported air	max 70	°C
Max temperature of transported air, when speed controlled	70	°C
Sound data		
Sound pressure level at 1m	72	dB(A)

**Protection/Classification**

Enclosure class, motor	IP54
Insulation class	F

**Data according to ErP**

ErP ready	ErP 2018
Measurement category	A
Efficiency grade	40.5 $\eta_{\text{actual}}$
Efficiency, static	36.8 $\eta_{\text{statA}}$
Target efficiency grade ErP2013	36 $\eta_{\text{target2013}}$
Target efficiency grade ErP2015	40 $\eta_{\text{target2015}}$

**Dimensions and weights**

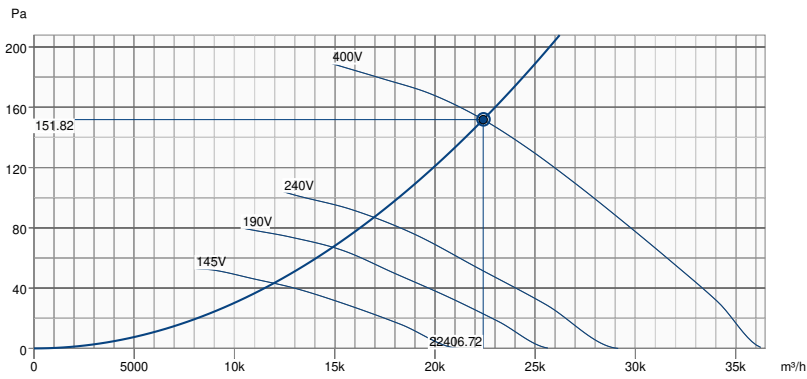
Weight	67 kg
--------	-------

**Others**

Color name, casing	Black
Motor type	AC

# Performance

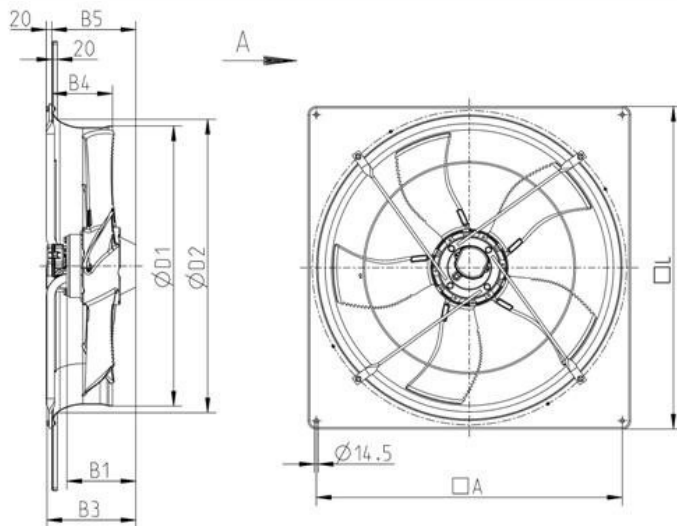
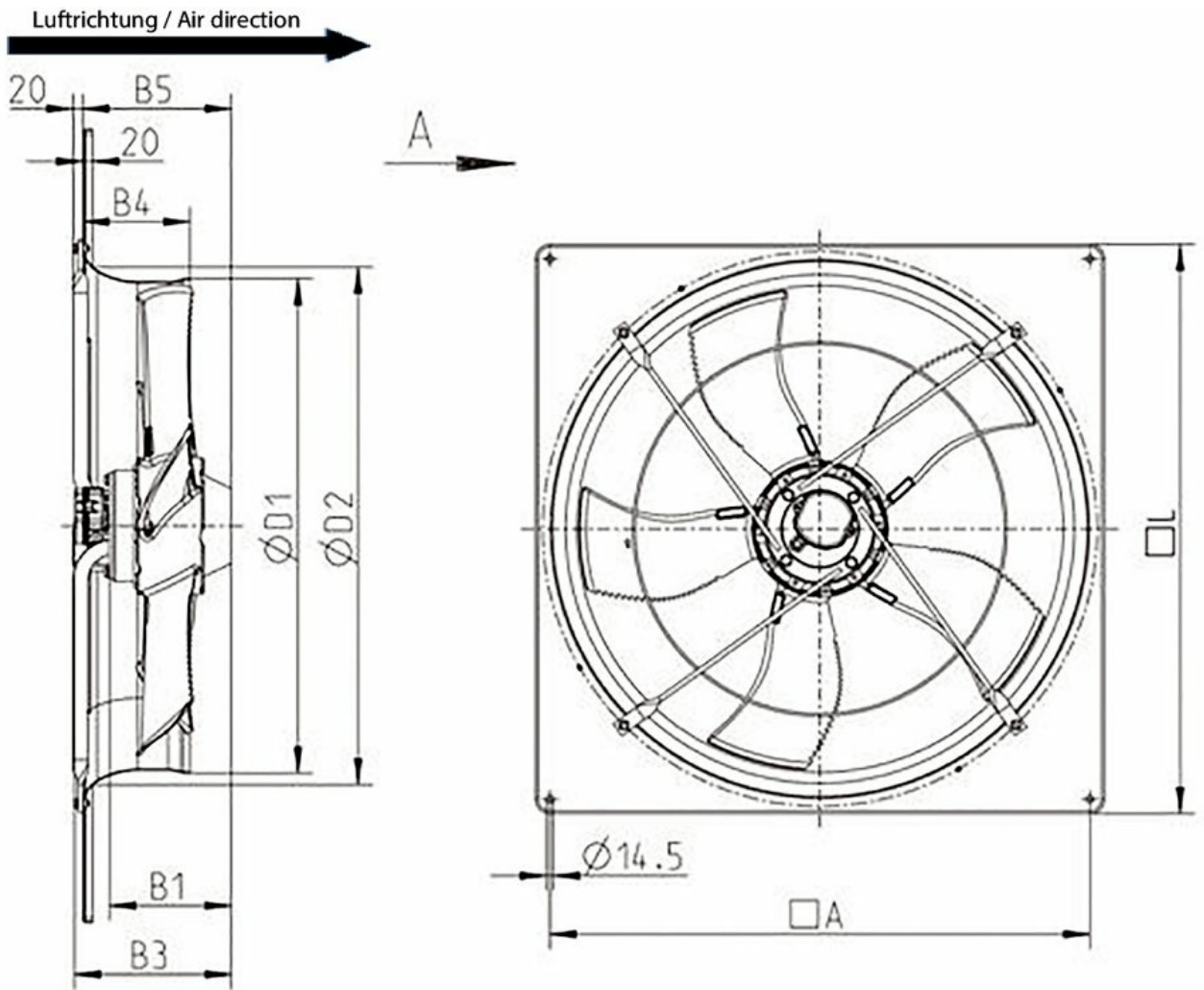
## Performance curve



Hydraulic data	
Required air flow	22420 m³/h
Required static pressure	152 Pa
Working air flow	22407 m³/h
Working static pressure	152 Pa
Air density	1.204 kg/m³
Power	2630.9 W
Fan control - RPM	830 rpm
Current	5.20 A
SFP	0.423 kW/m³/s
Control voltage	400.0 V
Supply voltage	400 V

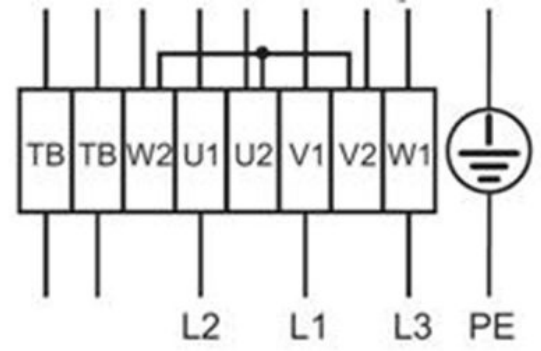
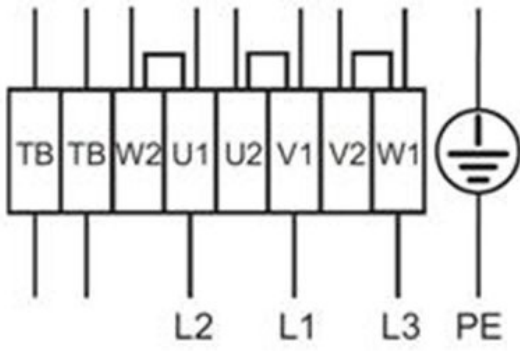
Sound power level		63	125	250	500	1k	2k	4k	8k	Total
Inlet	dB(A)	58	63	71	72	74	72	68	64	79
Outlet	dB(A)	58	63	71	73	74	70	67	64	79

## Dimension



	□A	B1	B3	B4	B5	ØD1	ØD2	□L
AW 1000DS	1110	250	323	220	305	1016	1067	1170

## Wiring



High speed

Low Speed

Δ-Connection

Y-Connection

## Ecodesign

Ecodesign 327	
Manufacturer	Systemair GmbH, Seehöfer Str. 45, DE-97944 Boxberg, Amtsgericht (court of registration) Mannheim, HRB 560437
Type	AW 1000DS
Year of manufacture	See name plate of the fan
Air flow qv	22,250 m <sup>3</sup> /h
Efficiency category	static
Efficiency grade N	40.5
Efficiency grade target N	40
Speed (rpm) n	830 rpm
Pressure increase total psf	153 Pa
Power consumption Ped	2,630 W
Overall efficiency	36.8 %
Variable speed drive	No
Additional components	Components used to calculate the energy efficiency that are not apparent from the measurement category are detailed in the CE declaration.
Maintenance	Information on installation, operation and maintenance is provided in the operating instructions.
Recycling / disposal	Information on recycling and disposal is provided in the operating instructions.

## Accessories

- FRQ5S-4A+LED V2 (36233)
- REV-5POL/07-7,5kW R/Y (33980)
- RTRDU 7 Speed contr. Systemair (5947)
- S-DT 16E Motor Protection (161207)
- SG AW 1000 Guard 6 Pole (GFC) (3398)
- FRQS-4A V2 (36231)
- RTRD 7 speed control Systemair (5943)
- S-DT 16 Motor Protection (161206)
- S-DT2SKT Two speed switch Y/D (2697)

## Documents

- L-BAL-001-SYSTEMAIR.PDF
- installation variations\_1\_AR\_AW.pdf